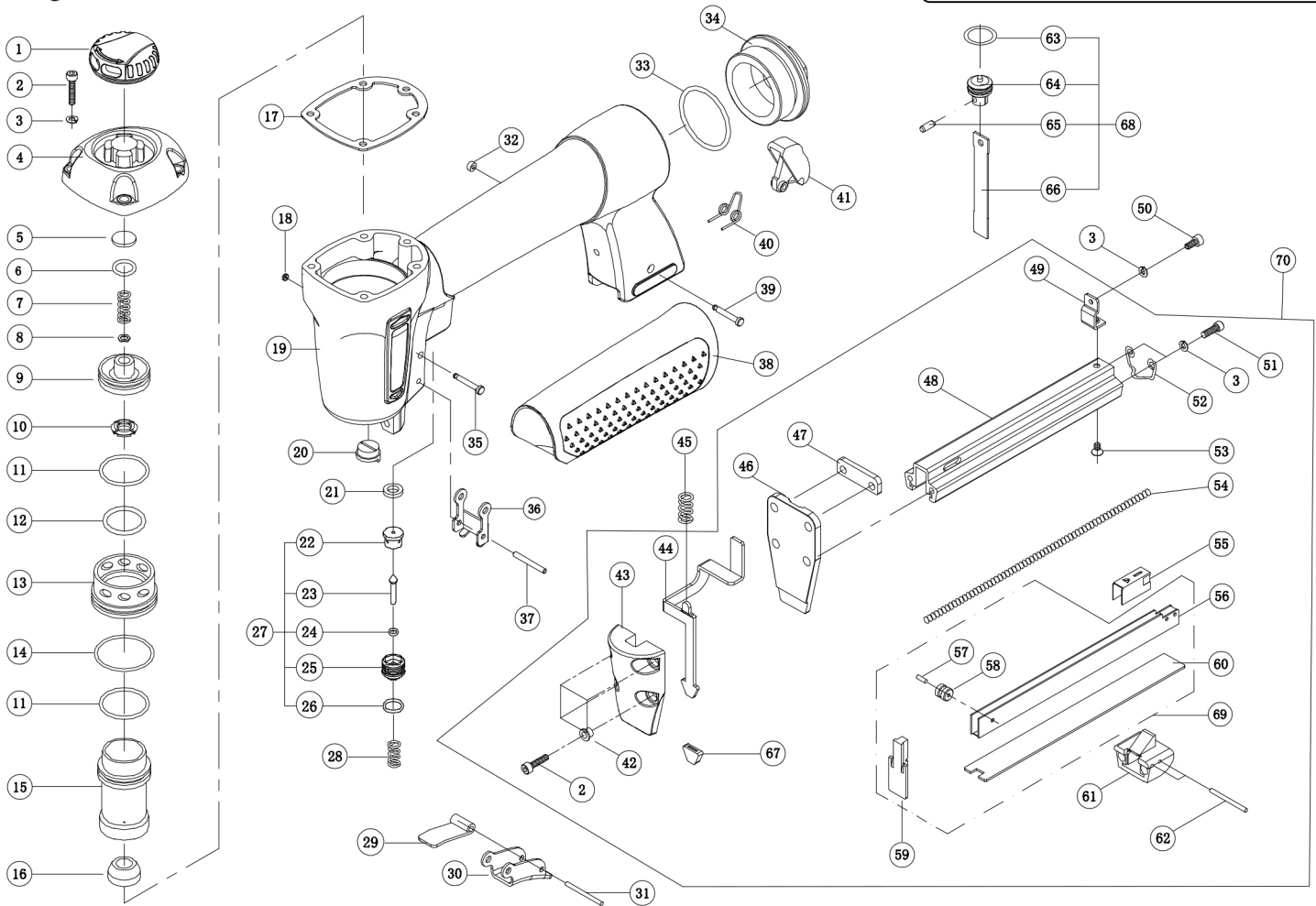


Air Locker

Model # U641



S.No.	DESCRIPTION	Qty.	S.No.	DESCRIPTION	Qty.	S.No.	DESCRIPTION	Qty.
1	Exhaust Cover	1	31	Spring Pin 2.5*14	1	59	Front Part	1
2	Screw 4*20	1	32	O-Ring 3.1*2.9	1	60	Nail Tank	1
3	Washer #4*4.1t	2	33	O-Ring 32.5*2.65	1	61	Tail Cover	1
4	Cylinder Cap	1	34	Tail Cover	1	62	Spring Pin S350 (2.5*30)	1
5	Air Seal	1	35	Step Pin	1	67	Pad	1
6	O-Ring 11.8*2.4	1	36	Catch Guide Plate	1	45	Compression Spring	1
7	Spring	1	37	Spring Pin 2.5*22	1	50	Screw 4*12	1
8	Washer	1	38	Handle Grip	1	68	Piston Set	1
9	Firing Valve Piston	1	39	Step Pin	1	63	O-Ring 17.8*2.8	1
10	Piston Stopper	1	40	Torsion Spring	1	64	Piston Head	1
11	O-Ring 26.6*2.4	2	41	Click Lever	1	65	Outer Spring Pin	1
12	O-Ring 21.3*3	1	70	Clip Assembly	1	66	Driver Blade	1
13	Collar	1	2	Screw 4*20	1			
14	O-Ring 35*2	1	3	Washer #4*4.1t	1			
15	Cylinder Cap	1	42	Sleeve	1			
16	Bumper	1	43	Driver Guide Cover	1			
17	Gasket	1	44	Release Catch	1			
18	O-Ring 5.5*2	1	46	Driver Guide	1			
19	Body	1	47	Spacer	1			
20	Nozzle	1	48	Upper Magazine	1			
21	Air Seal	1	49	Magazine Support	1			
27	Trigger Valve Set	1	51	Screw 4*12 H=6	1			
22	Upper Remote Housing	1	52	Spring	1			
23	Remote Core	1	53	Screw 4*6	1			
24	O-Ring 3.5*1.5	1	54	Feeder Spring	1			
25	Remote Housing	1	55	Pusher	1			
26	O-Ring 11*1.9	1	69	Magazine Set	1			
28	Spring	1	56	Base Plate Of Nail Tank	1			
29	Release Blade	1	57	Spring Pin 2.5*12	1			
30	Trigger	1	58	Roller	1			